

DATASHEET

Name:
Type:
Designed by:

BALLOONS
Pendant Light
Lucie Koldova & Dan Yeffet



DESCRIPTION

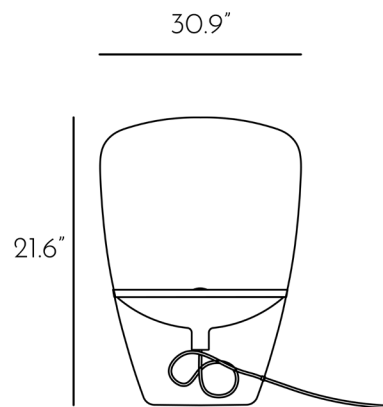
Balloons, a collection of elementary and timeless lamps resembling hot air balloons, fascinates the beauty of the bulky, large-volume glass and the floating reflector inside.

TECH. DESCRIPTION

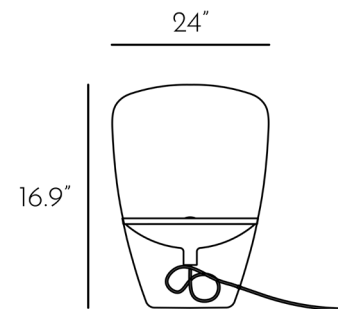
The lamp consist of three main part: the bottom glass section with power cord' the metal reflector and the upper glass shade.



CERTIFICATES



Product ID: PC858



Product ID: PC857

CONSTRUCTION SPECIFICATIONS

Weight: 16 kg
Construction material: Glass, metal
Cord Length: 1,970 mm
Mounting: Floor
Environment: Indoor

9.7 kg
Glass, metal
1,580 mm
Floor
Indoor

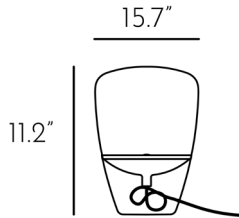
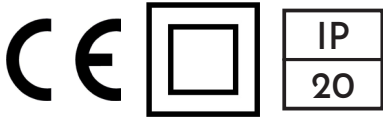
ELECTRICAL SPECIFICATIONS

Input voltage [V]: 230 V
Frequency [Hz]: 50-60 Hz
Max. power [W]: 60 W
Coverage IP: 20
Socket: E27
Light source: -
Energy class: A+ to E depending on light source

230 V
50-60 Hz
60 W
20
E27
-
A+ to E depending on light source



CERTIFICATES



Product ID: PC856

CONSTRUCTION SPECIFICATIONS

Weight:	4.6 kg
Construction material:	Glass, metal
Cord Length:	1,640 mm
Mounting:	Table
Environment:	Indoor

ELECTRICAL SPECIFICATIONS

Input voltage [V]:	230 V
Frequency [Hz]:	50-60 Hz
Max. power [W]:	40 W
Coverage IP:	20
Socket:	E14
Light source:	-
Energy class:	A+ to E depending on light source

LED SOURCE - PC858, PC857

Socket	E27
Type	LED filament
Lamp wattage [W]	6 W
Input voltage [V]	220 - 240 VAC
Energy class	A+
Flux [lm]	400 lm
Light colour [K]	2200K
CRI	90+
Lifespan [h]	2,0000 hr
Dimmable	yes
Dimensions	125 x 80 mm



Product ID: CM5565

LED SOURCE - PC856

Socket	E14
Type	LED filament
Lamp wattage [W]	4.7 W
Input voltage [V]	220 - 240 VAC
Energy class	A+
Flux [lm]	280 lm
Light colour [K]	2200K
CRI	90+
Lifespan [h]	2,0000 hr
Dimmable	yes
Dimensions	100 x 45 mm



Product ID: CM5565

PRODUCT DETAILS

Glass Colour

Transparent glass	CGC23
Smoke grey - transparent glass	CGC516
Smoke brown - transparent glass	CGC538

Glass Surface

Glossy Finish	CGSU66
---------------	--------

Body Finishes

Copper	CCSC584
Brass	CCS69
Chrome	CCS275
Chrome Black	CCS959
Chrome Brushed	CCS960
Black	CCS582
White	CCS575
Lemon Yellow	CCS613
Reflective Orange	CCS574

Cable colour

Textile cable - Black	CECL519
Textile cable - White	CECL521
Textile cable - Dark grey	CECL520
Textile cable - Light grey	CECL1918
Textile cable - Red	CECL530
Textile cable - Yellow	CECL606

LED Source

230V, LED, E27, 6 W, 2200K, 400lm, RA90, 360°, DIM	CEB782
230V, LED, E14, 4.7 W, 2200K, 1m, RA90, 360°, DIM	CEB925

PRODUCT DETAILS

Glass Colour

Transparent glass	CGC23
Smoke grey - transparent glass	CGC516
Opaline - transparent glass	CGC38
Black - transparent glass	CGC601
Violet - transparent glass	CGC554

Glass Surface

Glossy Finish	CGSU66
---------------	--------

Body Finishes

Silver anodized	CCS1917
Black anodized	CCS1948
Iron - White matte powder coating	CCS845

Canopy Finishes

Iron - Black matte powder coating	CCSC619
Iron - White matte powder coating	CCSC618

Straps

Leather straps - Black	GINT792
Leather straps - Natural	GINT788
Leather straps - Grey	GINT758
Leather straps - Dark brown	GINT793

Connection method

Brokis connector	CCM1019
------------------	---------

LED Source

24V, LED, 12.5W, 2700K, 740lm, DIM	LEDS1922
24V, LED, 12.5W, 4000K, 909lm, DIM	LEDS2149
24V, LED, 12.5W, 5000K, 962lm, DIM	LEDS2150

Dimmable version

Non-dimmable version	CEDV1457
RF system - remote control version	CEDV1461
PWM Single	CEDV1459
1-10V	CEDV1460
DALI version	CEDV1458
AC phase-out	CEDV1730